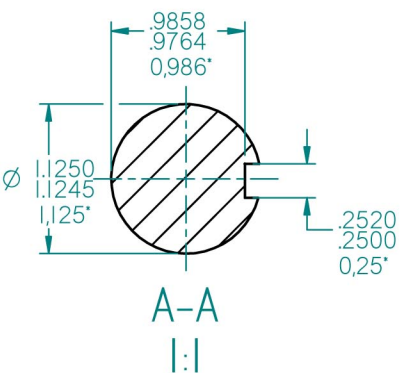
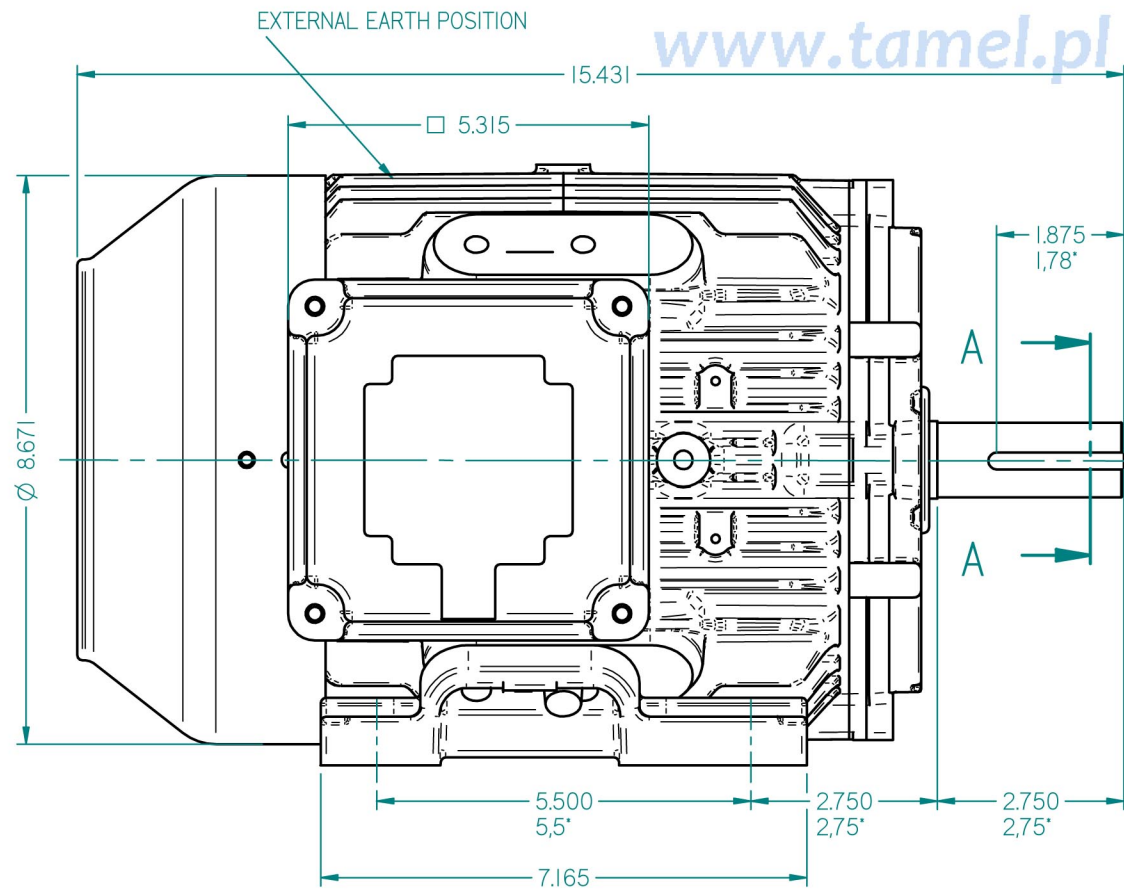


CABLE ENTRIES 1X0.75" NPT



\* NAMA DIMENSIONS STANDARDS PUBLICATION

STANDARD TERMINAL BOX POSITION IS 9 O'CLOCK AS SHOWN.  
CONDUIT ENTRIES:- TERMINAL BOX CAN BE ROTATED AT 90° INTERVALS  
(CONDUIT ENTRY POSITION SHOWN FOR ILLUSTRATION ONLY)

ALL DIMENSIONS IN INCHES

FIRST ANGLE PROJECTION

**BROOK CROMPTON**

Produced by Tamel S.A. a company of ATB

|                         |        |  |
|-------------------------|--------|--|
| SHEET SIZE<br><b>A3</b> | TITLE: | OUTLINE DIMENSION DRAWING W CAST IRON TOTALLY ENCLOSED FAN COOLED WP-DF184T-S2 2P FRAME FOOT MOUNTED MOTOR |
|-------------------------|--------|--|

|         |      |          |
|---------|------|----------|
|         | NAME | DATE     |
| DRAWN   | DL   | 26-11-12 |
| CHECKED |      |          |
| SCALE   | 1:2  |          |

|           |  |
|-----------|--|
| DRG. No.  |  |
| DRG. REF. |  |
| REVISION: |  |
| DATE:     |  |